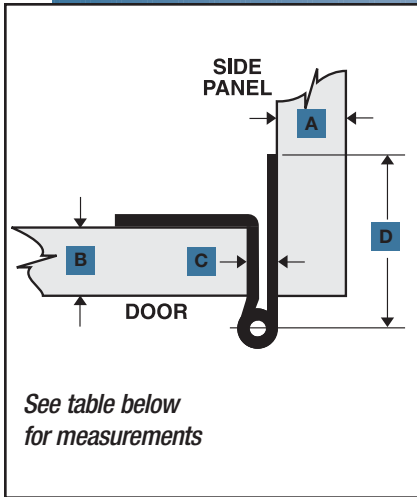


FLUSH HINGES



RPC flush hinges are hospital tipped and available in knuckle heights of 2", 2-1/2" and 2-3/4". Please contact us regarding your special applications.



No. **860**



No. **2107**



No. **M2107**



No. **8581**



No. **8491**

	A	B	C	D			
Part No.	Side Panel in. [mm]	Door Thickness in. [mm]	Door Clearance in. [mm]	Cabinet Wing Length	Barrel Height	Material Thickness	Comments
860	N/A	3/4" (19mm)	7/32" (5.6mm)	1-59/64" (48.8mm)	2-1/2" (63.5mm)	0.083" (2.1mm)	
2107	N/A	13/16" (20.6mm)	1/4" (6.4mm)	2-3/16" (55.6mm)	2-3/4" (69.9mm)	0.095" (2.4mm)	
M2107	N/A	13/16" (20.6mm)	1/4" (6.4mm)	2-3/16" (55.6mm)	2-3/4" (69.9mm)	0.095" (2.4mm)	Minaret tips
8491	N/A	13/16" (20.6mm)	3/16" (4.8mm)	1" (25.4mm)	2-1/2" (63.5mm)	0.083" (2.1mm)	can be used on framed cabinets
8581	N/A	13/16" (20.6mm)	7/32" (5.6mm)	1-7/8" (47.6mm)	2" (50.8mm)	0.083" (2.1mm)	