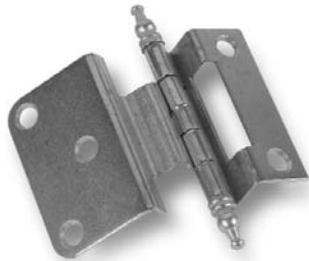
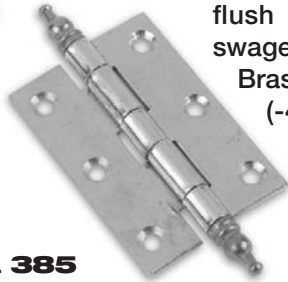




FURNITURE HINGES

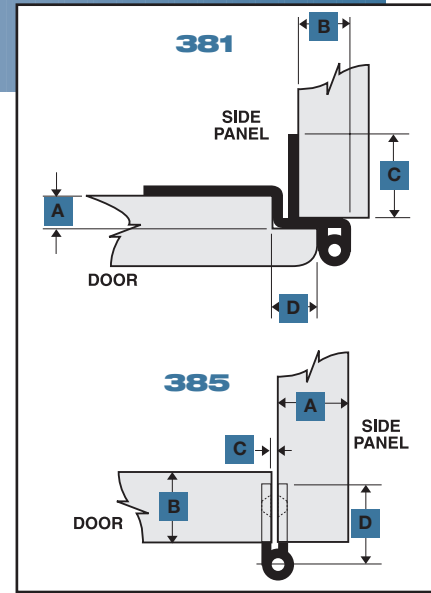


No. **381**



No. **385**

RPC offers furniture hinges with decorative minaret tips. The No. 381 hinge is for use with inset doors having a rabbet depth of 3/8". The No. 385 butt hinge is suitable for flush mounting and is half swaged. Available in Antique Brass (-4GB) or Bright Brass (-4BB) plated finishes. Uses #6 flat-head screws. (Screws not furnished.)



See table below for measurements

| | A | B | C | D | | | |
|----------|-----------------------|----------------------|---------------------|-----------------------|---------------|--------------------|--------------|
| Part No. | Rabbet Depth in. [mm] | Cabinet Wing Overlay | Cabinet Wing Length | Door Wing Form Height | Barrel Height | Material Thickness | Comments |
| 381 | 3/8" (9.5mm) | 7/16" (11.1mm) | 5/8" (15.9mm) | 23/64" (9.1mm) | 2" (50.8mm) | .050" (1.3mm) | Minaret Tips |

| | A | B | C | D | | | |
|----------|---------------------|-------------------------|-------------------------|---------------------|-----------------|--------------------|--------------|
| Part No. | Side Panel in. [mm] | Door Thickness in. [mm] | Door Clearance in. [mm] | Cabinet Wing Length | Barrel Height | Material Thickness | Comments |
| 385 | N/A | 3/4" (19mm) | 1/16" (1.5mm) | 27/32" (21.4mm) | 2-1/2" (63.5mm) | .065" (1.7mm) | Minaret Tips |